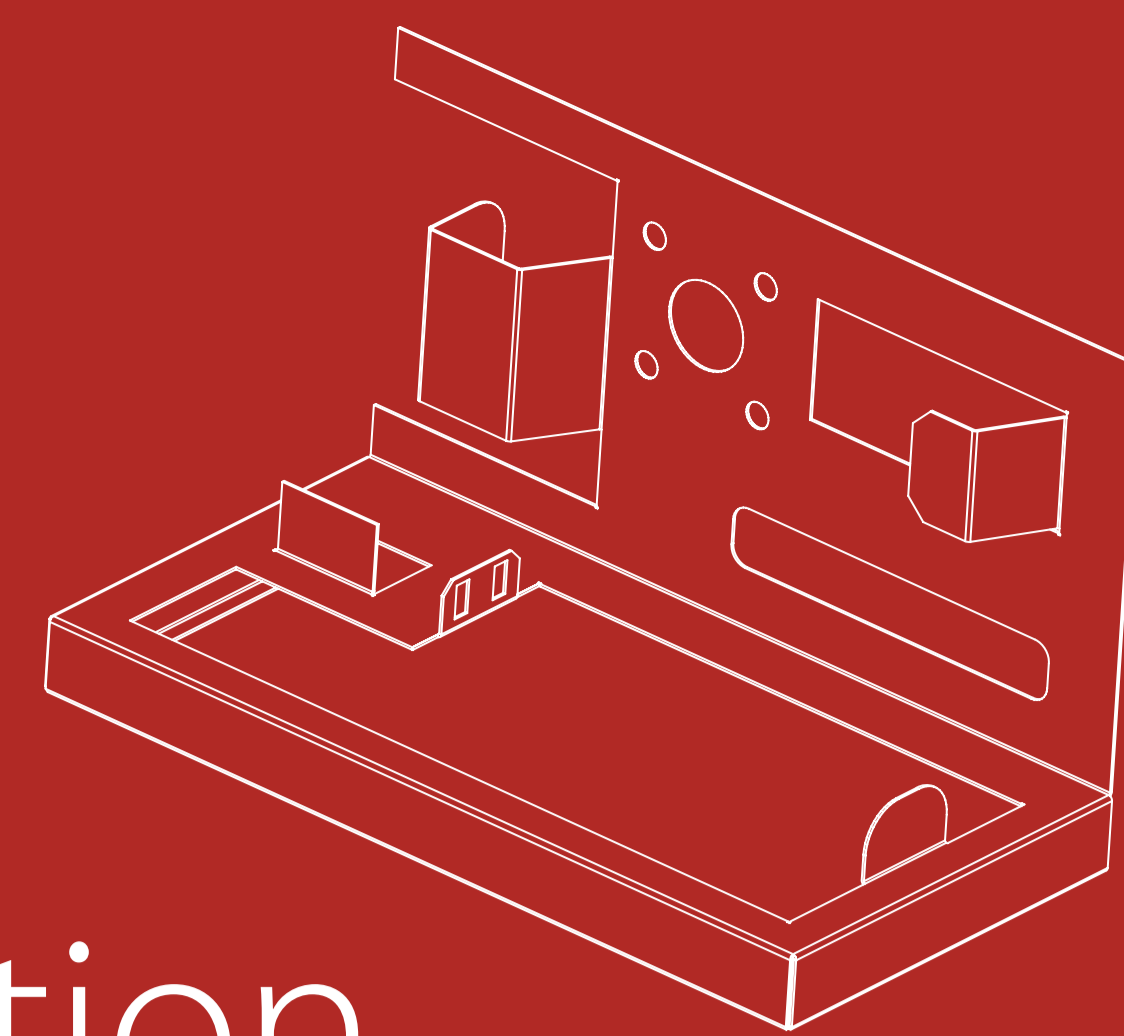




M E T A L I X

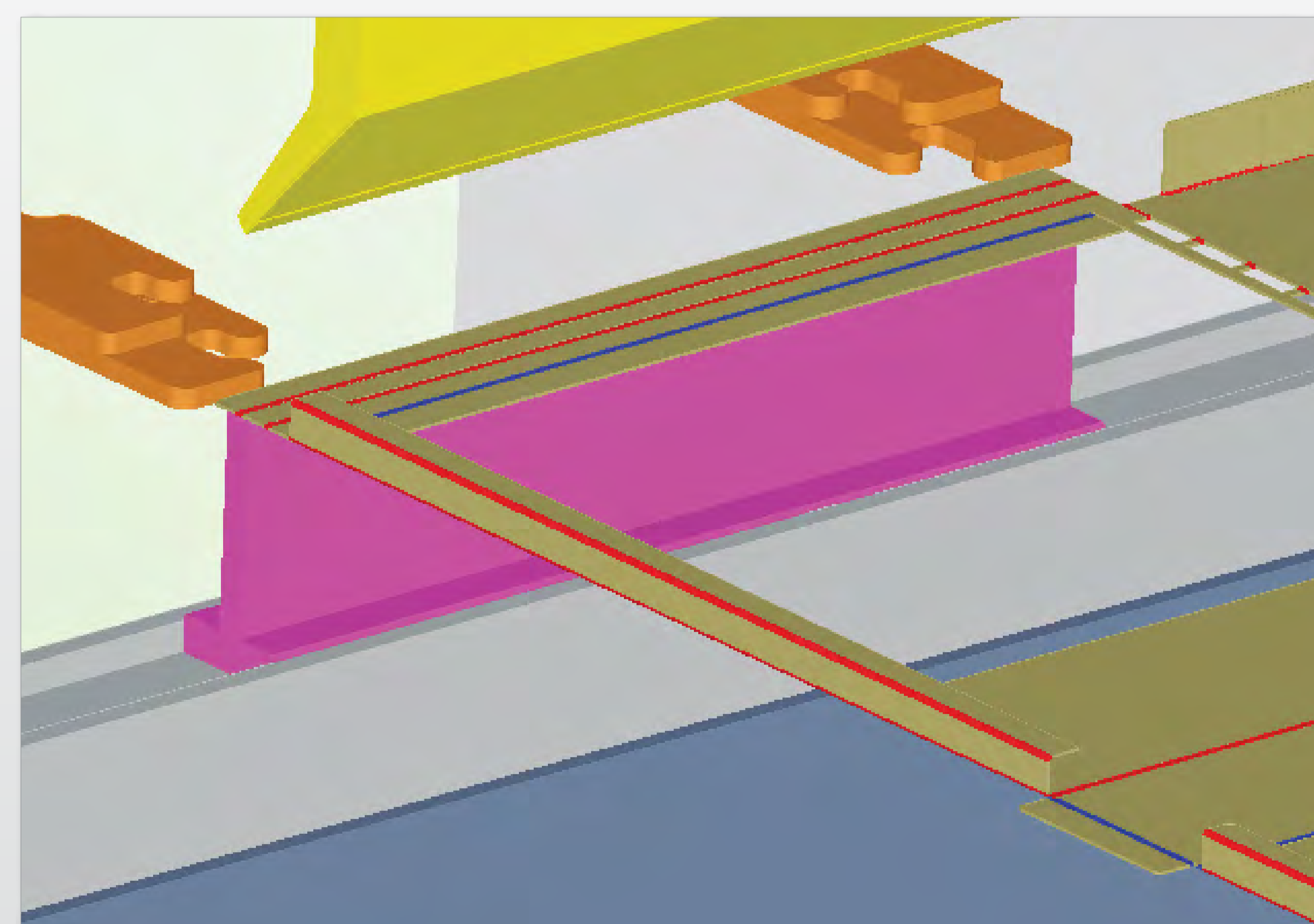
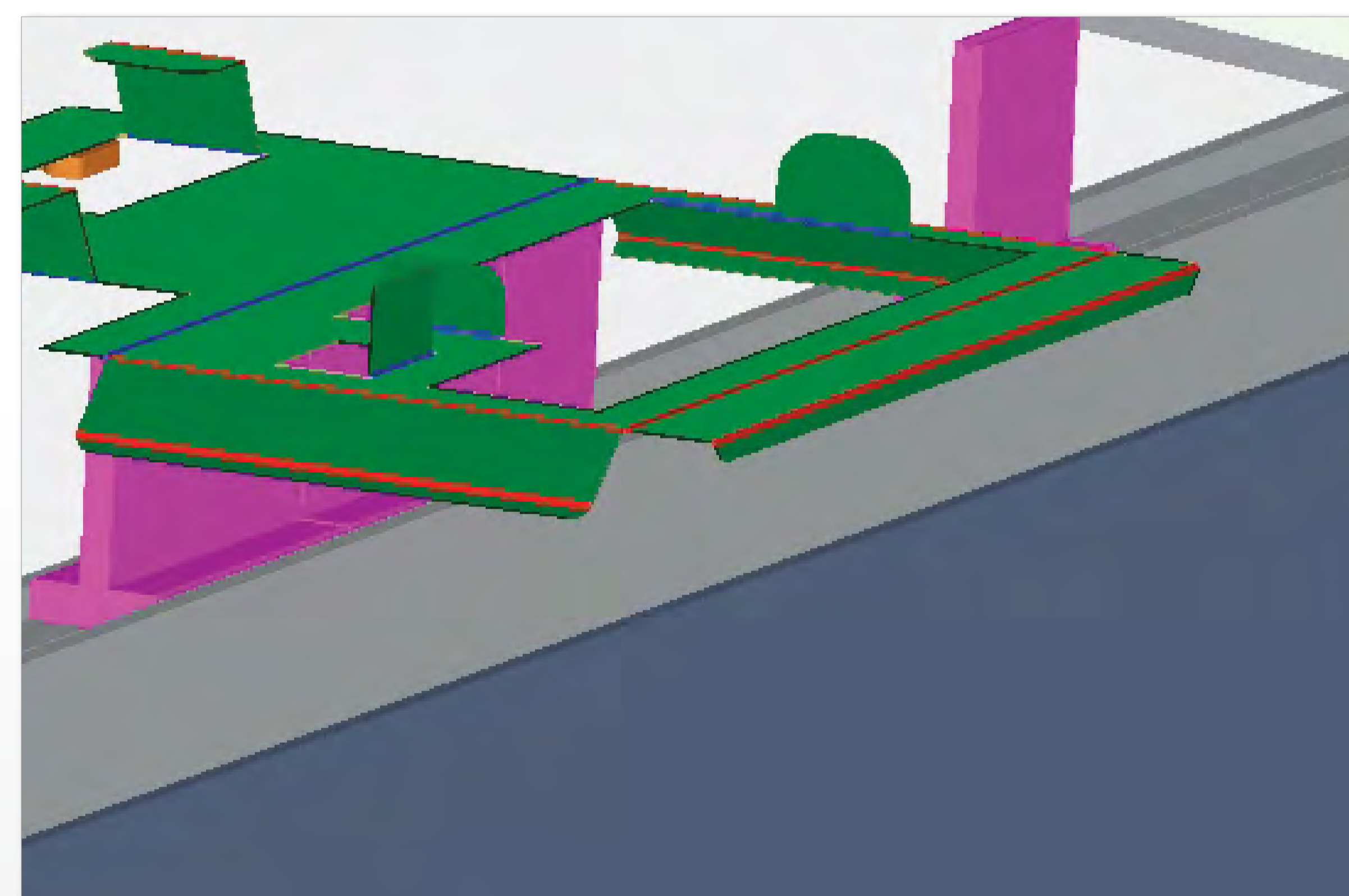
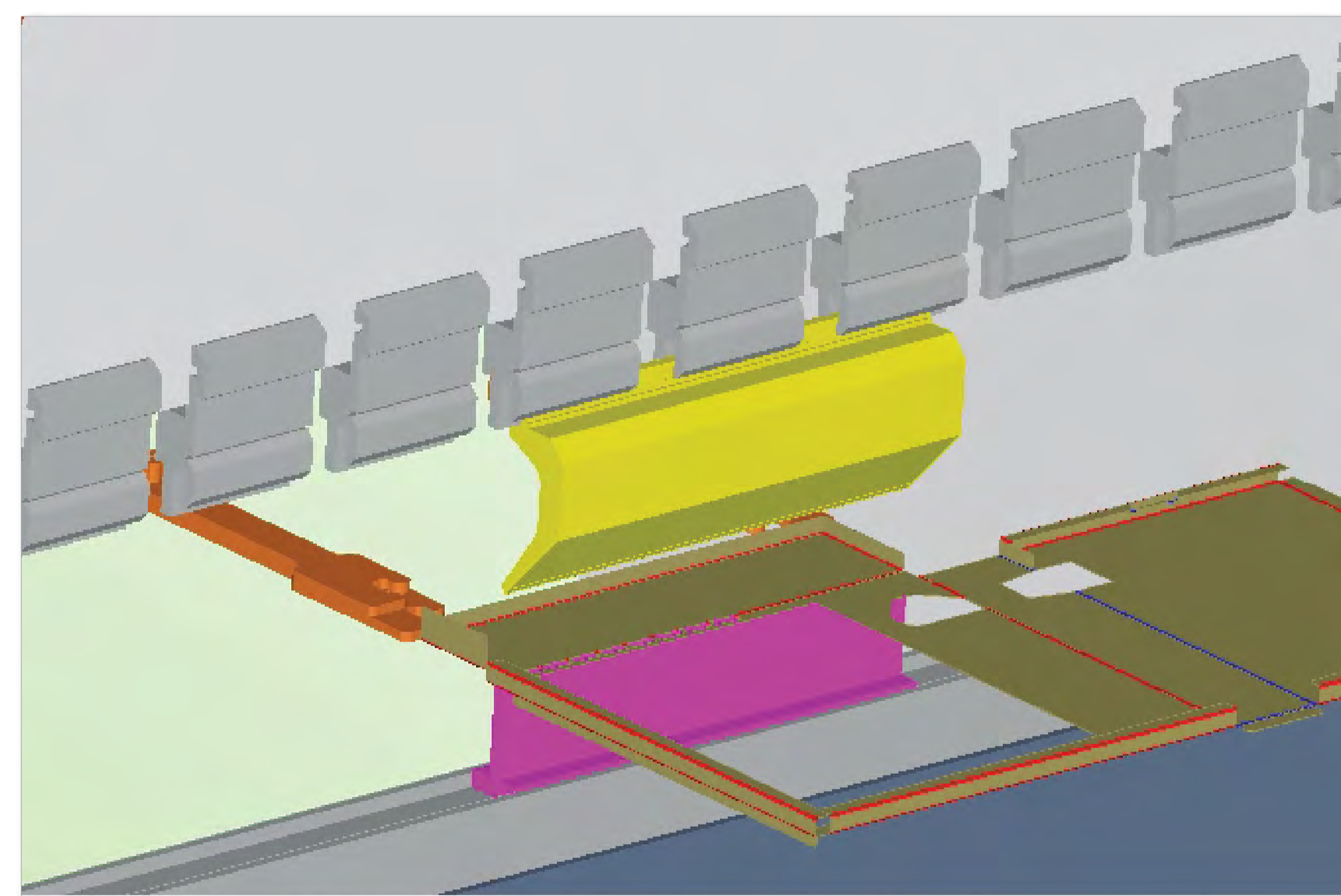
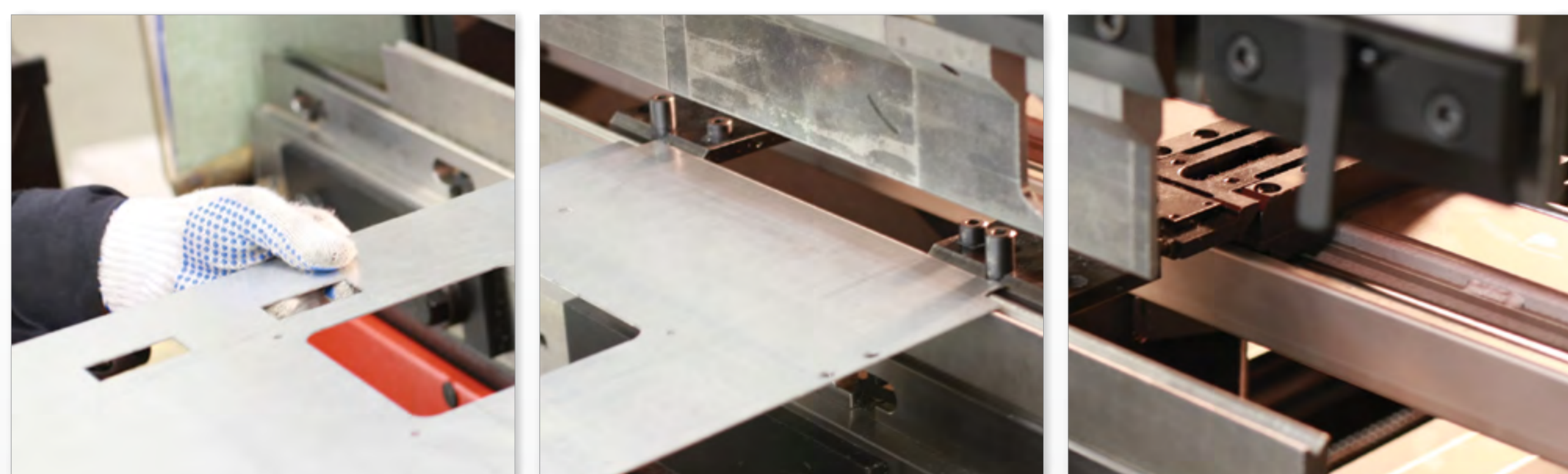
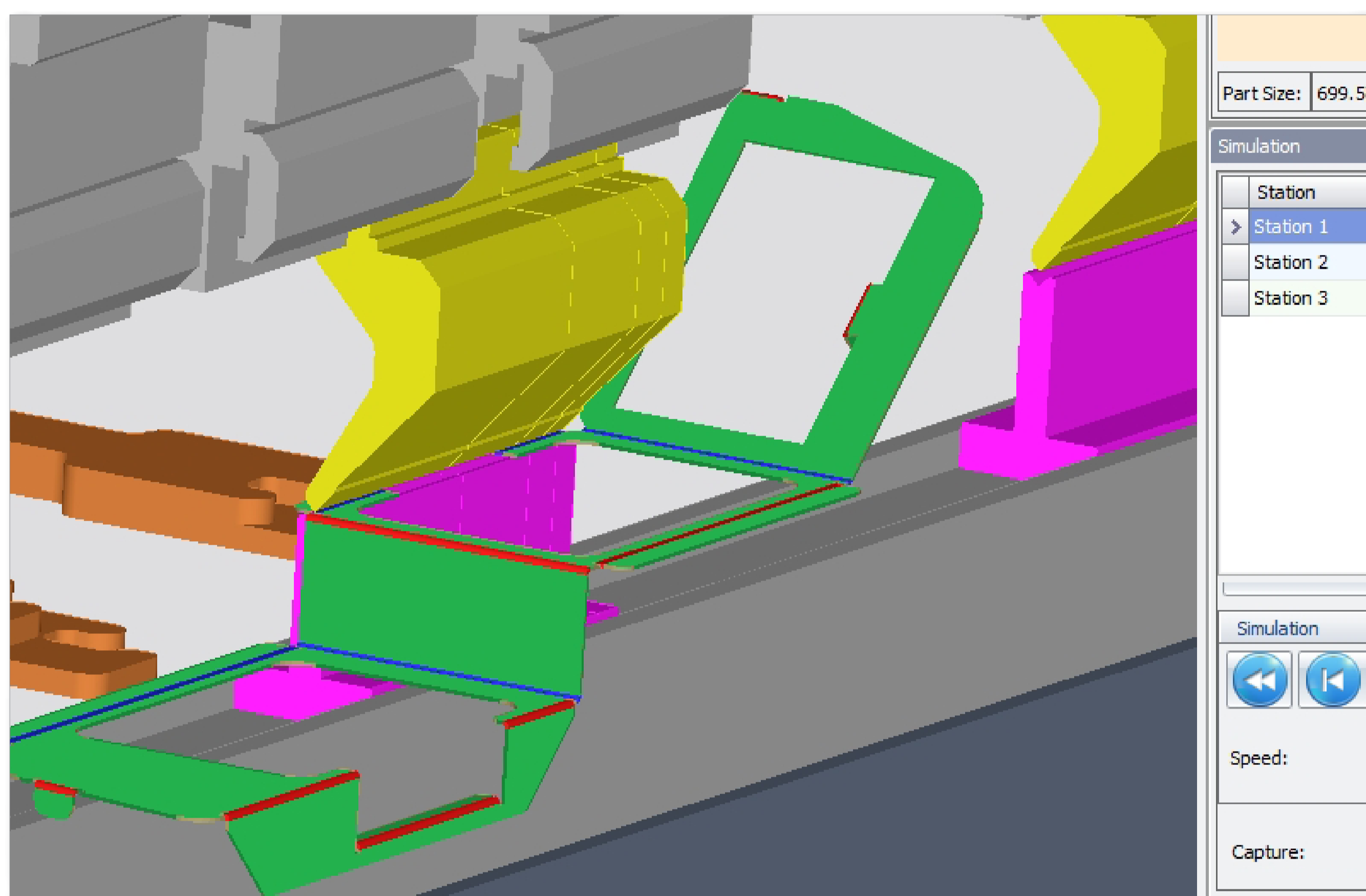
# MBend

Offline press brake simulation  
and programming



[www.metalix.net](http://www.metalix.net)

Enhanced press brake  
productivity with faster  
design-to-product time



MBend decreases machine down-time and  
reduces wastage:

- Direct transfer of parts from 3D CAD
- Automatic tool selection, bend sequence,  
and finger positioning
- 3D bending simulation with collision  
detection
- Native NC code generation
- Parametric machine and tool modelling

*machine*

CAD/CAM that speaks your language