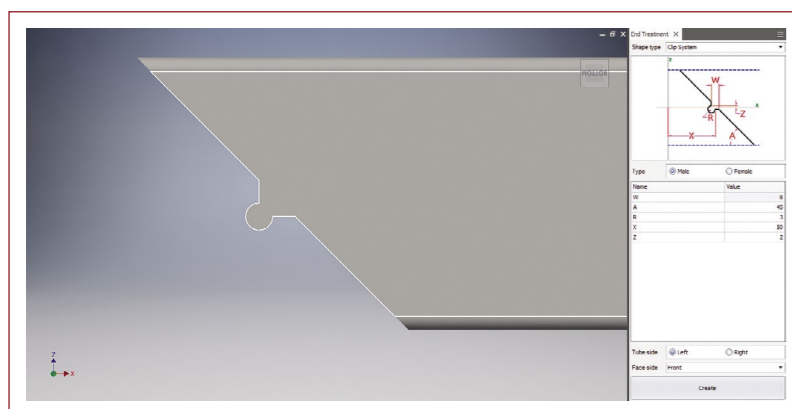
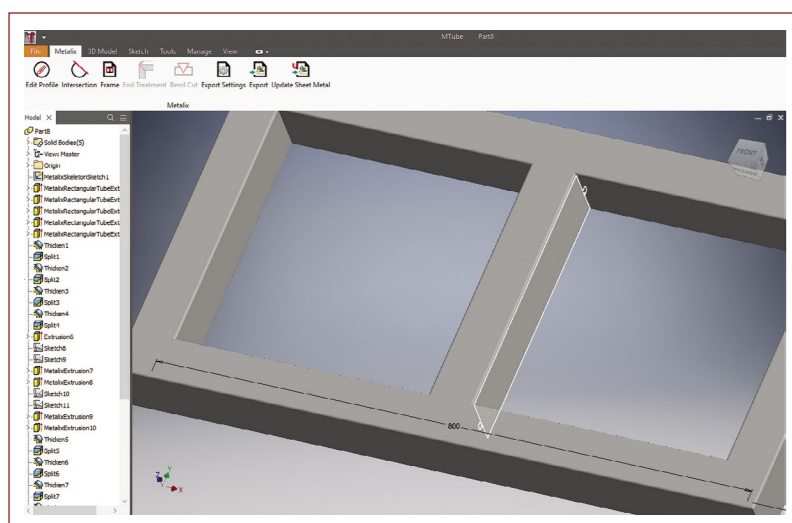


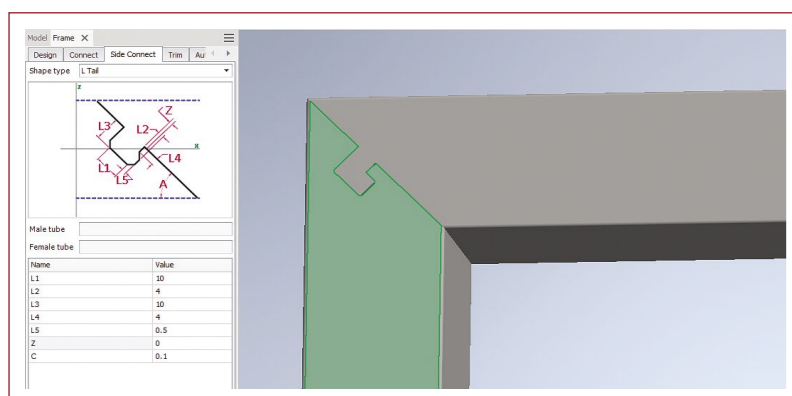
MTube supports several puzzle joints systems on rectangular profile tubes. They help to efficiently connect one piece in an assembly to another.



Designed in **MTube**: clip joint on a single tube.



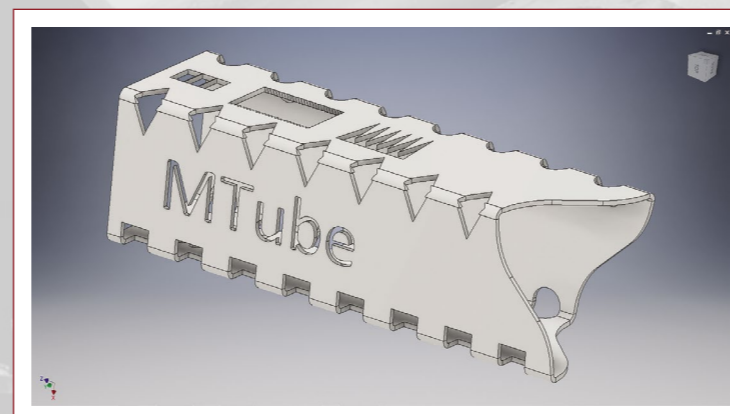
Designed in **MTube**: U-joints in an assembly.



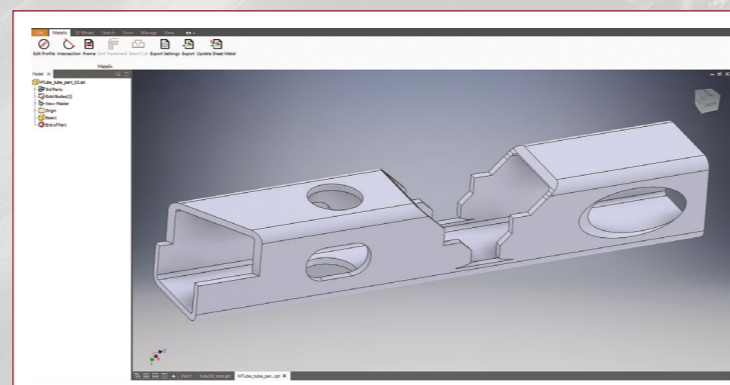
Designed in **MTube**: L-tail joint in an assembly.

As well as designing tubes, **MTube** allows you to import tube parts and assemblies, without requiring additional 3D CAD software.

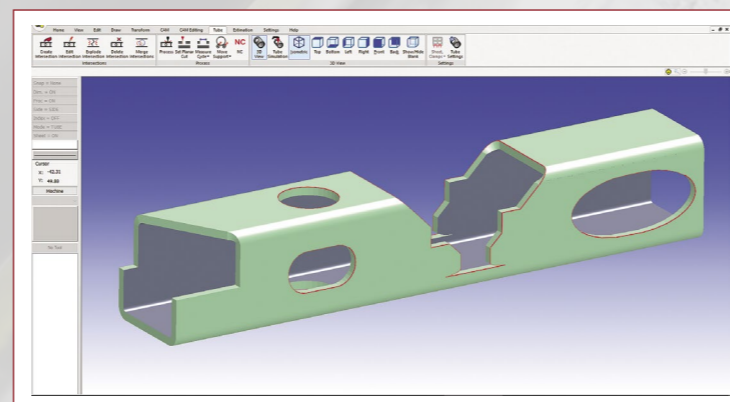
Import industry-standard tubes from CAD software (SOLIDWORKS®, Solid Edge®, Autodesk Inventor®, Catia, and PTC Creo®) and from various CAD formats (IGES, Parasolid, STEP, SAT, and other).



Tube design, imported into **MTube**.



Tube file ready to be exported from **MTube**.



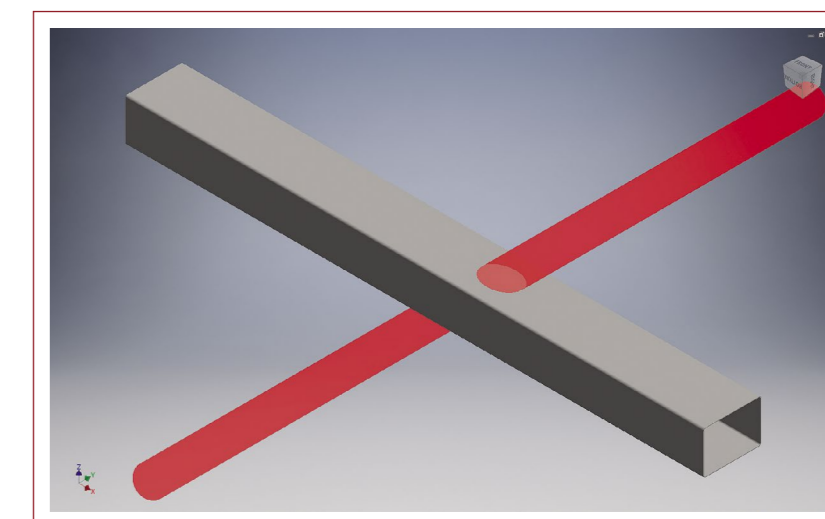
Tube file transferred from **MTube** to **cncKad**, ready for processing.

MTube

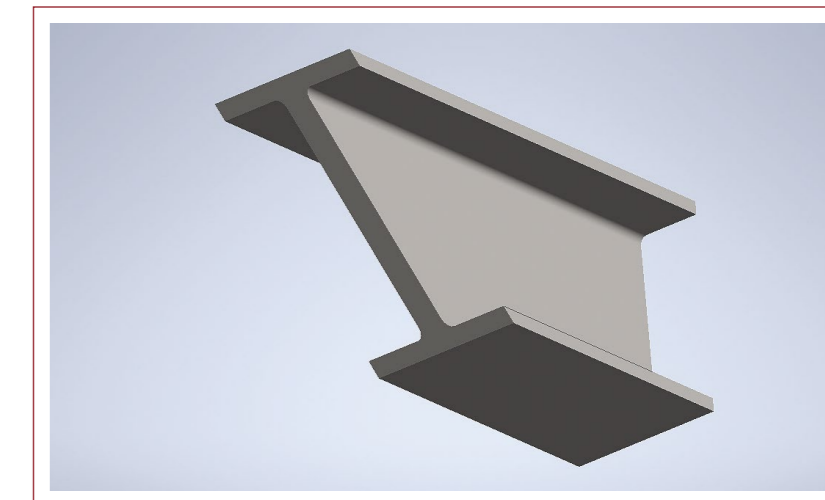
MTube is a 3D design application for simple and easy creation of 3D tube profiles.

Use **MTube** to design parametrically round, rectangular, elliptical, obround, angle, channel, I-Beam, and custom rectangular tube parts. Watch the changes emerging graphically in 3D.

A feature of particular interest is the ability to quickly create bend cuts in rectangular tubes. This allows you to later fold the manufactured tubes designed in **MTube**.

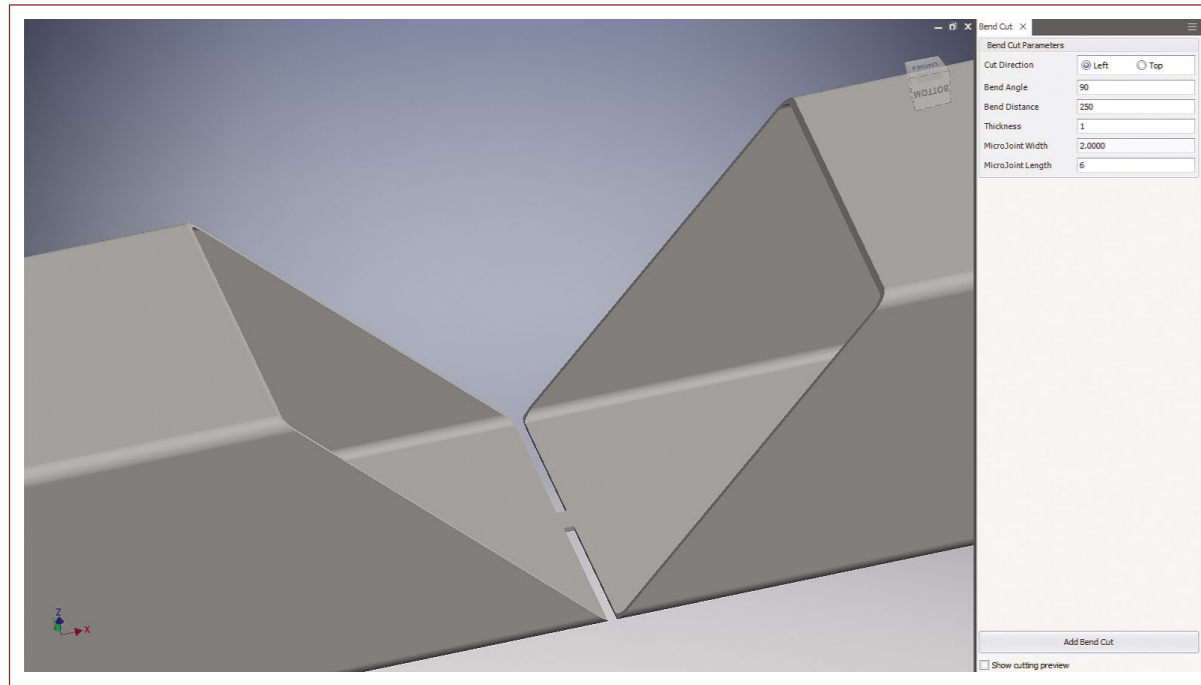


3D intersection design in **MTube**.



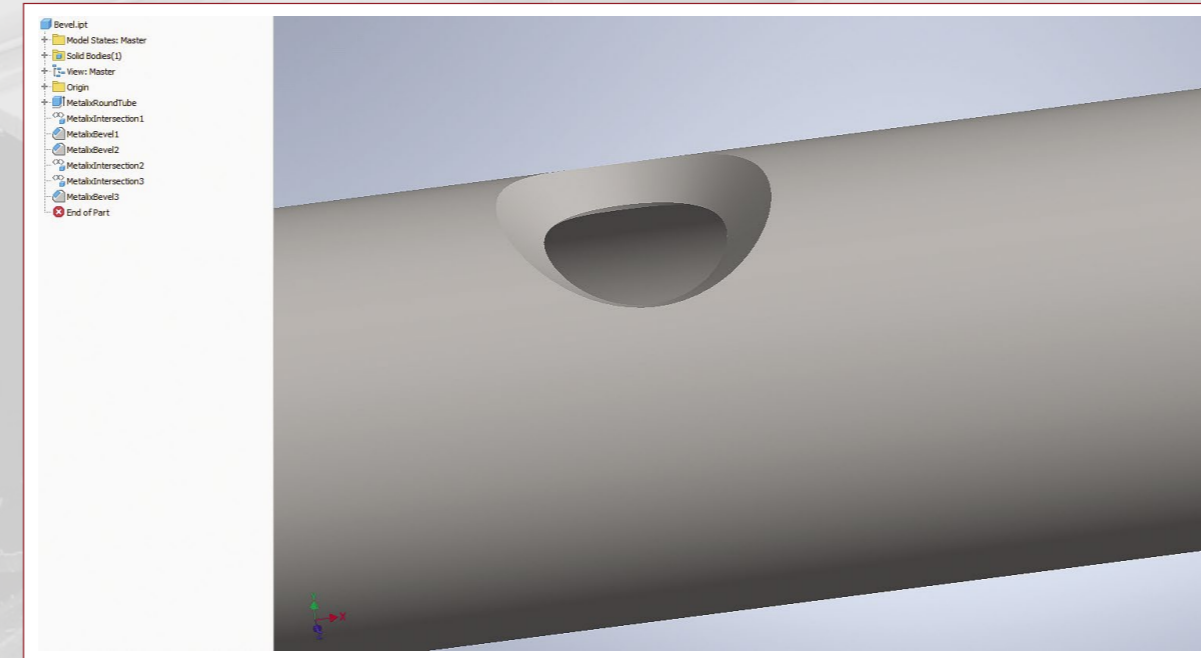
Designed in **MTube**: An I-Beam profile.

MTube bend cuts creation allows to easily fold manufactured tubes.



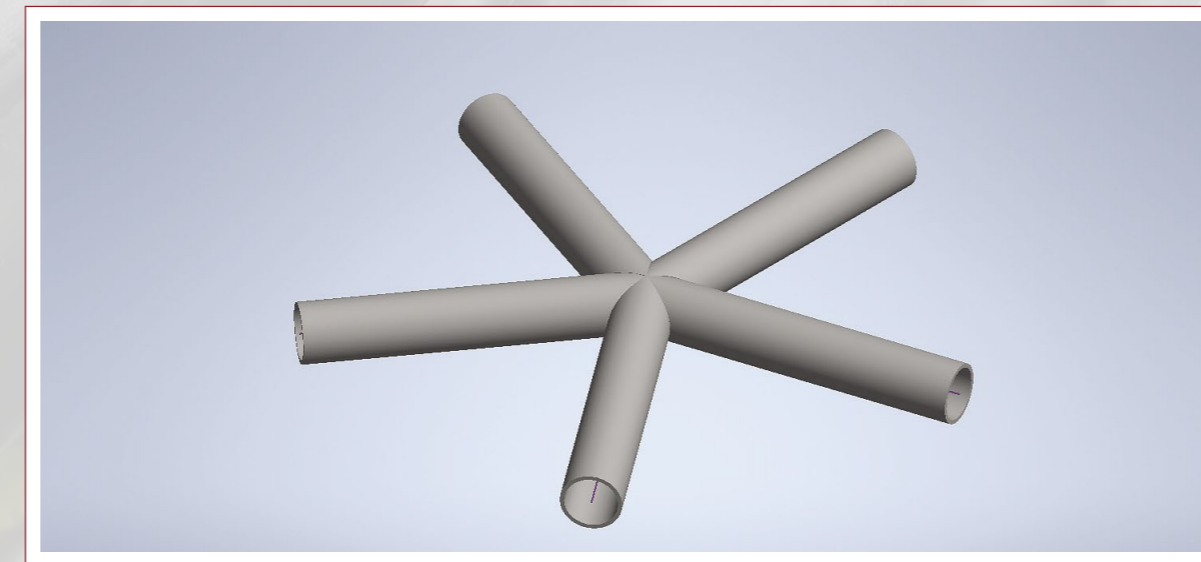
Designed in **MTube**: A straight bend cut.

The comprehensive **MTube** design abilities include planar and bevel cutting.



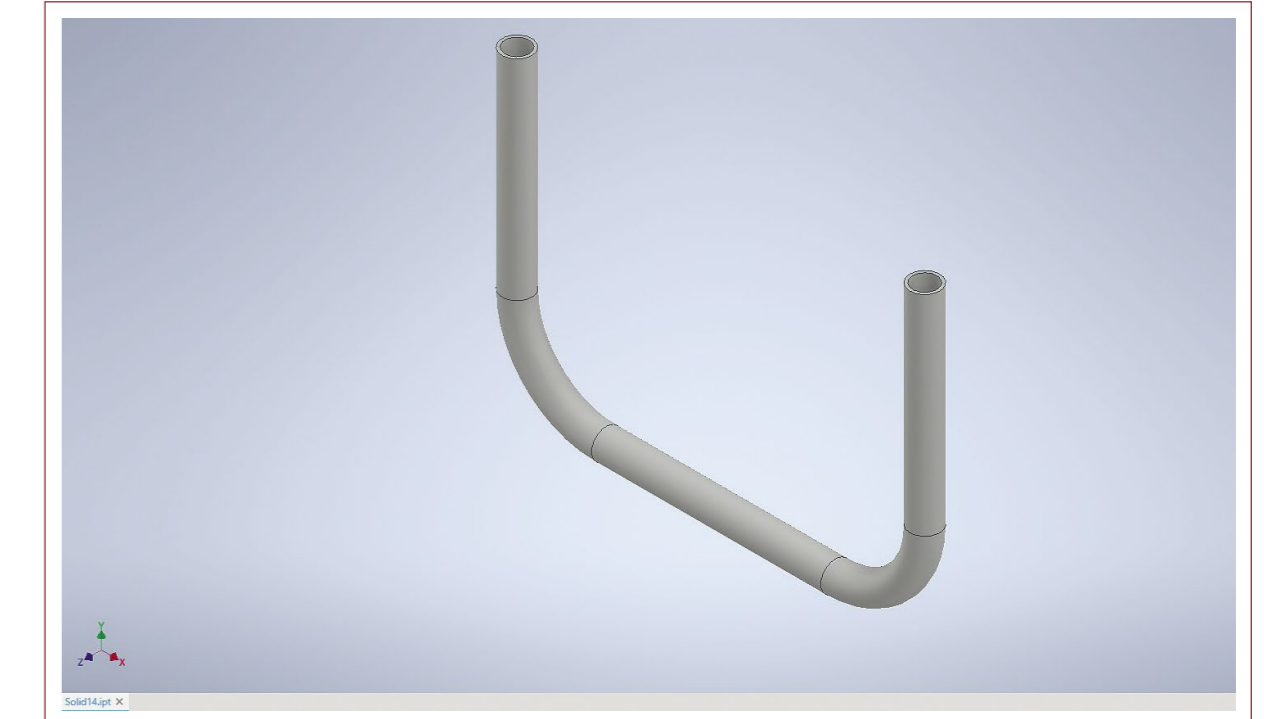
Designed in **MTube**: A hole with bevel.

MTube supports design of different types of tube assemblies, such as frames and planar star round tube junctions.

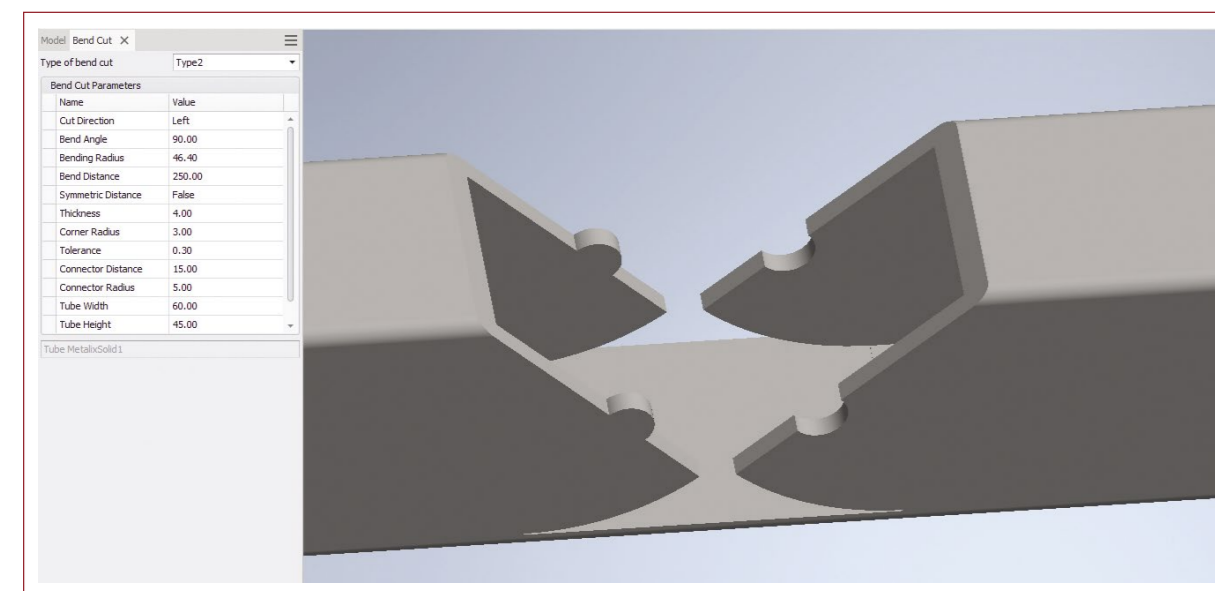


Designed in **MTube**: A star junction.

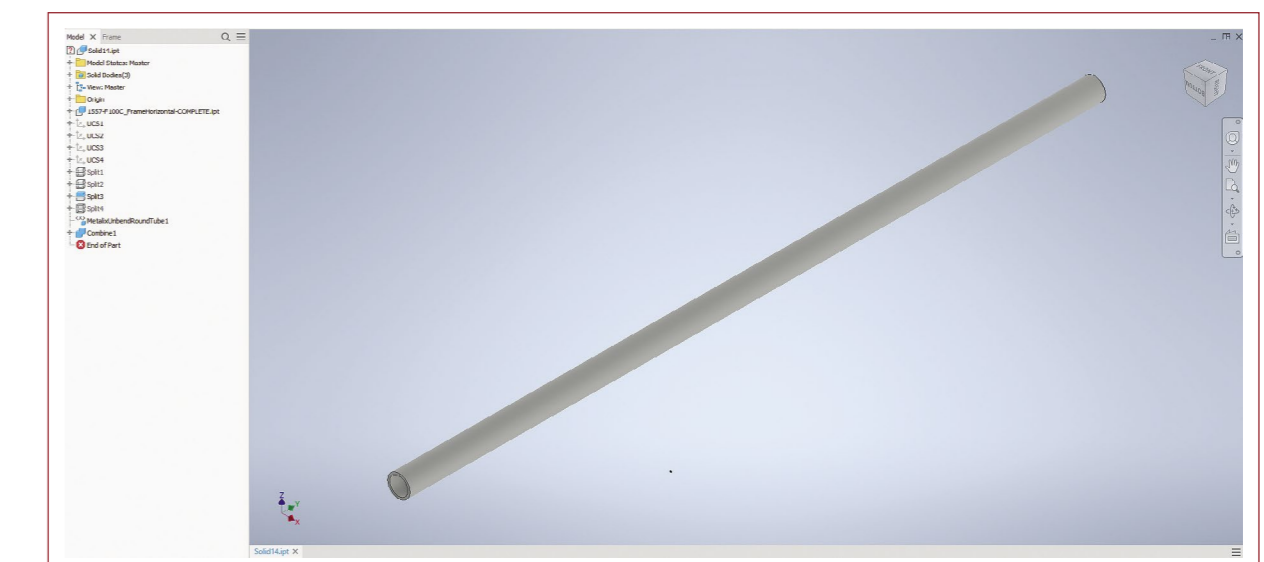
MTube allows straightening bent round profile tubes by just one click.



A bent tube imported into **MTube**.



Designed in **MTube**: A radius bend cut with clip joints.



The same tube unbent by **MTube**.